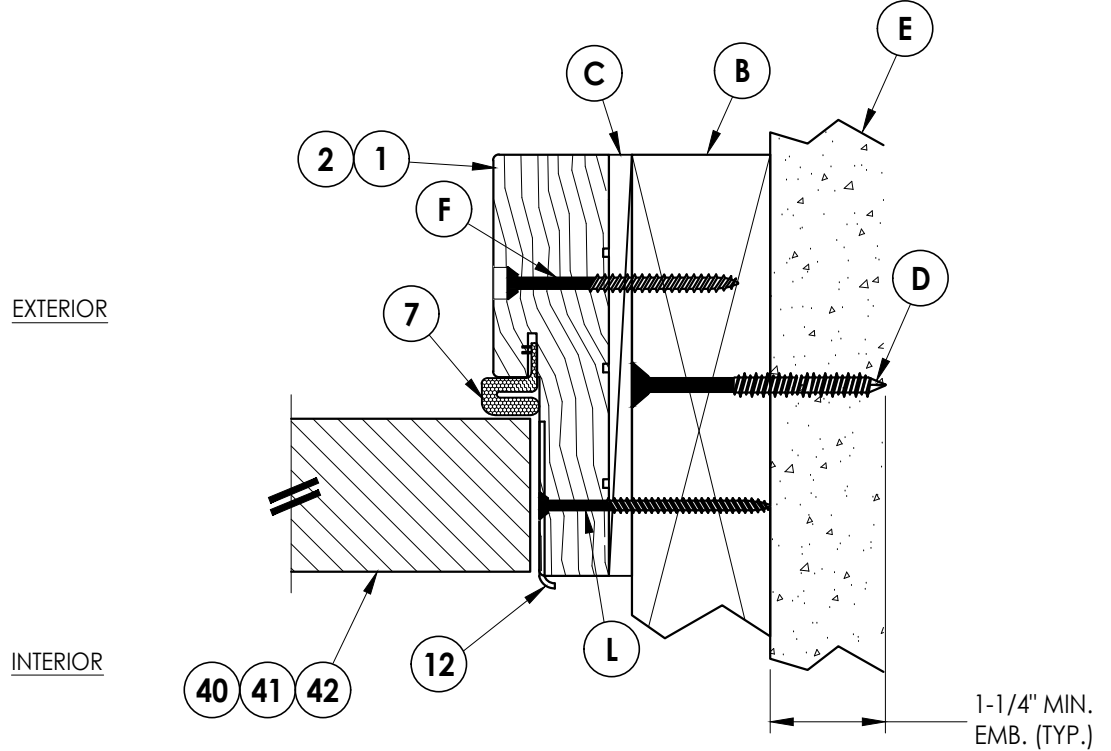
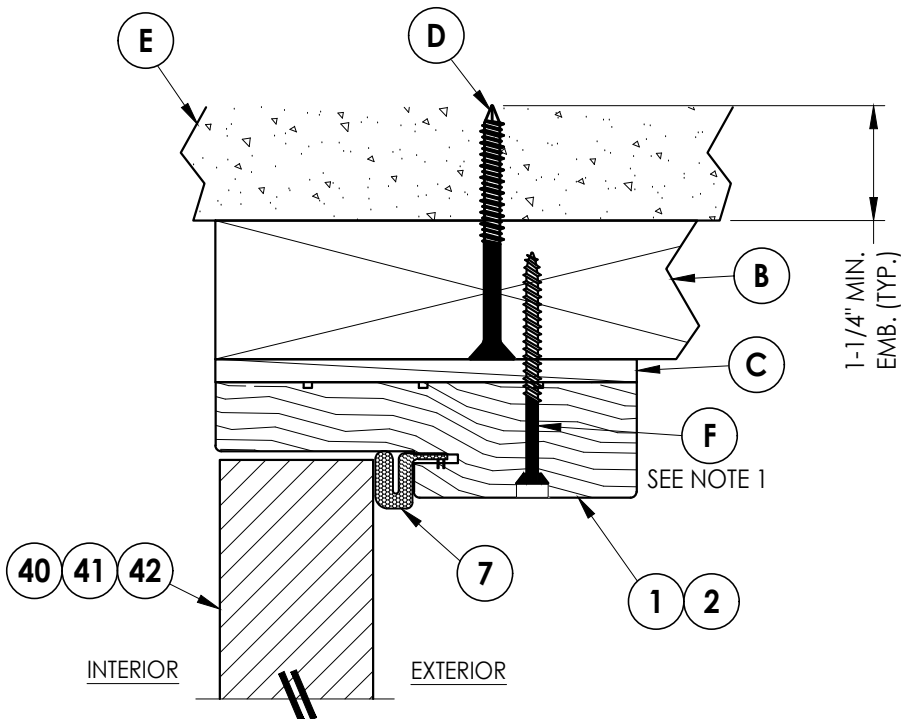


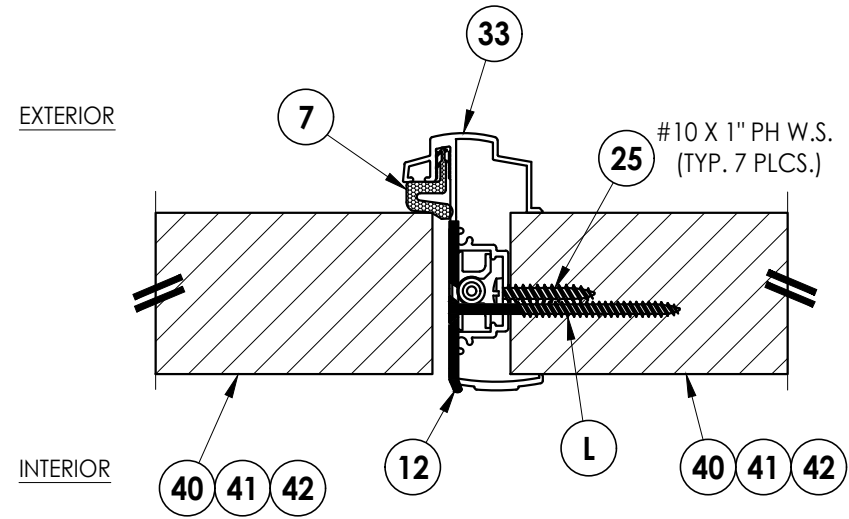
**1 HORIZONTAL CROSS SECTION**  
**4** Inswing Shown  
 2X Buck Construction



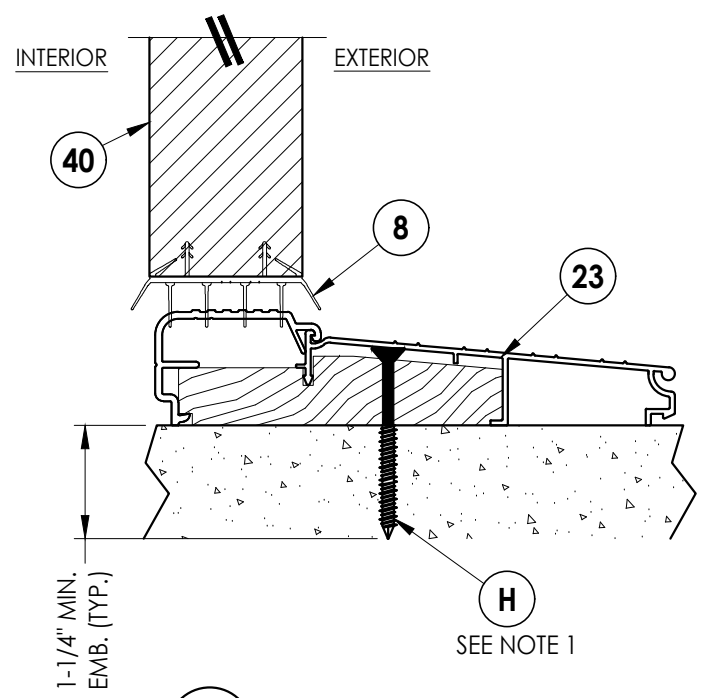
**2 HORIZONTAL CROSS SECTION**  
**4** Inswing Shown  
 2X Buck Construction



**3 VERTICAL CROSS SECTION**  
**4** Inswing Shown  
 2X Buck Construction



**4 VERTICAL CROSS SECTION**  
**4** Inswing Shown



**5 VERTICAL CROSS SECTION**  
**4** Inswing sill

NOTE:  
 1. Anchor not required on Single (X) door only.

Documents Prepared By:  
 Lyndon F. Schmidt  
 P.E. No. 43409

**RW** BUILDING CONSULTANTS, INC.  
 P.O. Box 230, Vairico, FL 33595  
 Phone No.: 813.659.9197  
 FBPE Registry No. 9813

PRODUCT: DOORSCAPES  
 FIBERGLASS DOOR

PART OR ASSEMBLY:  
 HORIZONTAL & VERTICAL  
 CROSS SECTIONS (2X BUCK)

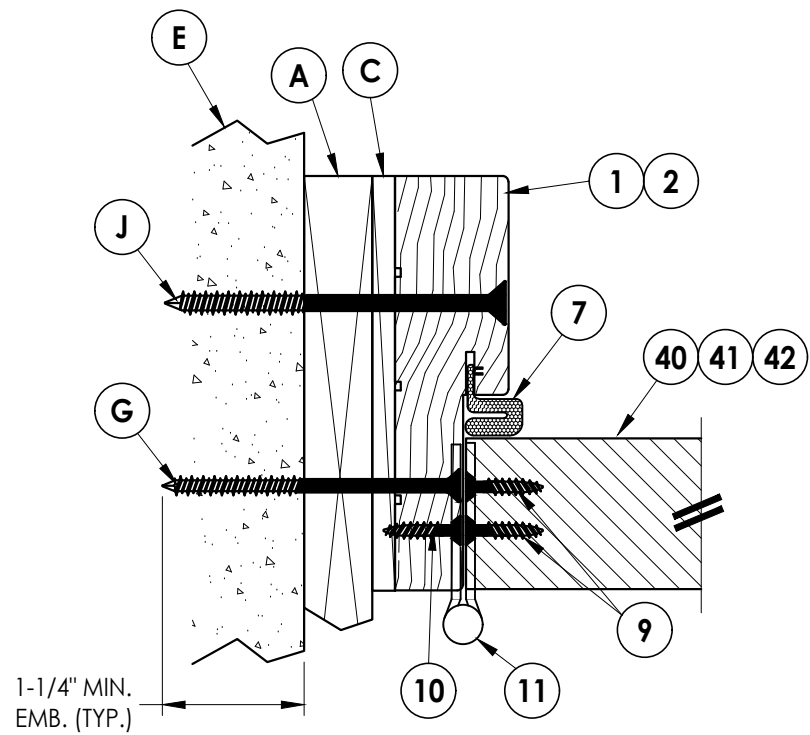
NO.	DATE	BY

REVISIONS

DATE: 2/22/24  
 SCALE: N.T.S.  
 DWG. BY: LFS  
 CHK. BY: RW  
 DRAWING NO.: FL-46553.1  
 SHEET 4 OF 9

© 2024 R.W. BUILDING CONSULTANTS INC.

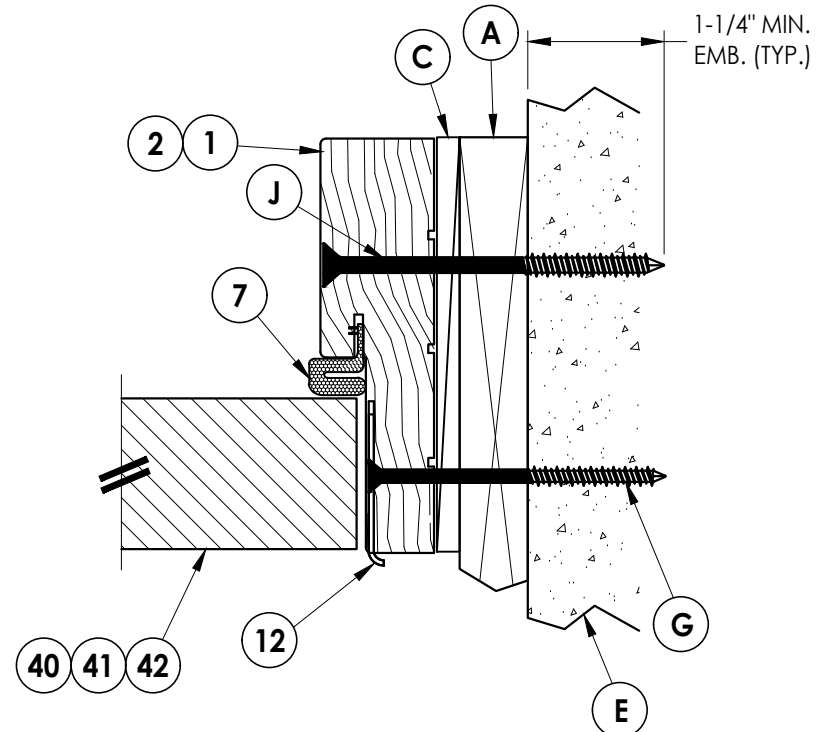
Z:\2023 FBC Drawings\DoorScapes, Inc\FL-46553 FG Flush Glased Door\FL46553.1.dwg



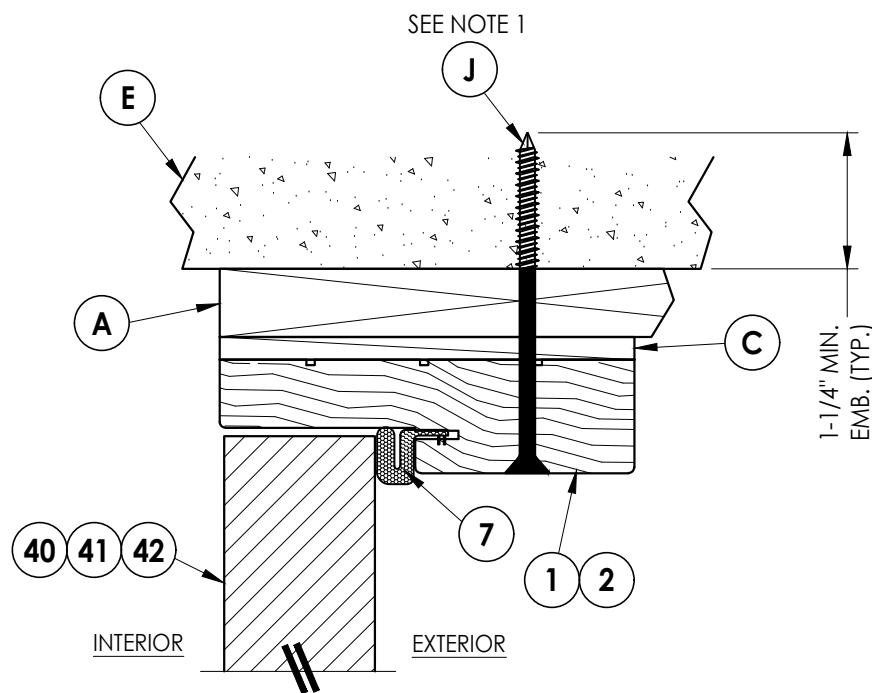
**1** HORIZONTAL CROSS SECTION  
**5** Inswing Shown  
 1X Buck Construction

EXTERIOR

INTERIOR



**2** HORIZONTAL CROSS SECTION  
**5** Inswing Shown  
 1X Buck Construction



**3** VERTICAL CROSS SECTION  
**5** Inswing Shown  
 1X Buck Construction

SEE NOTE 1

INTERIOR

EXTERIOR

NOTE:

1. Anchor not required on Single (X) door only.

Documents Prepared By:  
 Lyndon F. Schmidt  
 P.E. No. 43409

**RW** BUILDING CONSULTANTS, INC.  
 P.O. Box 230, Valrico, FL 33595  
 Phone No.: 813.659.9197  
 FBPE Registry No. 9813

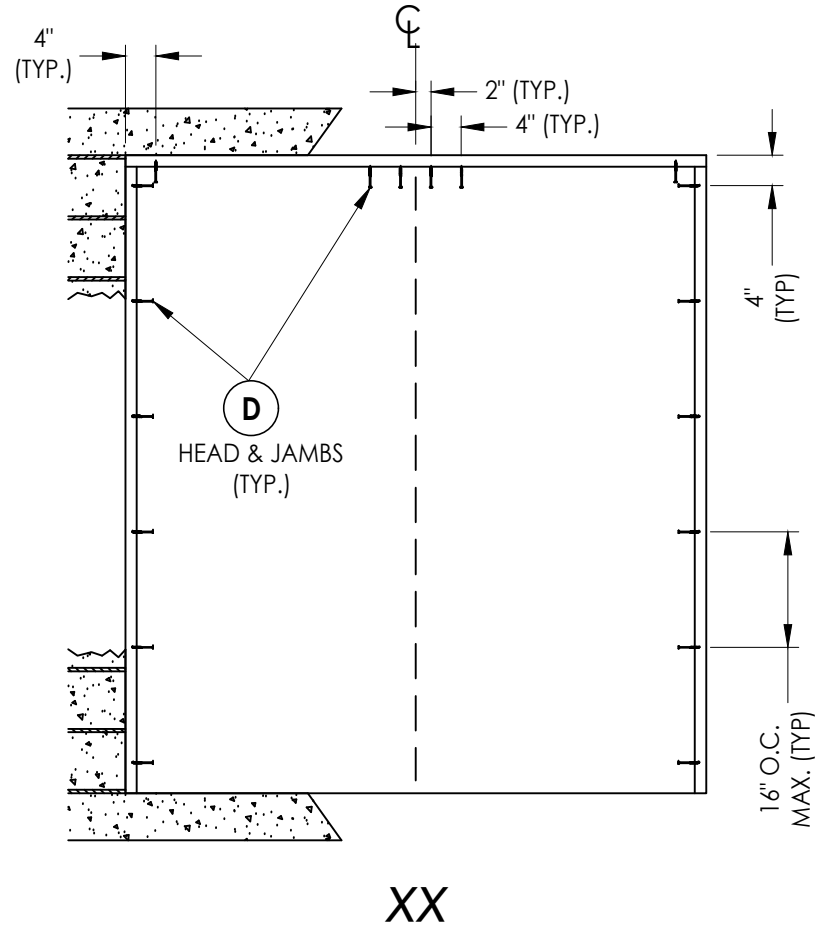
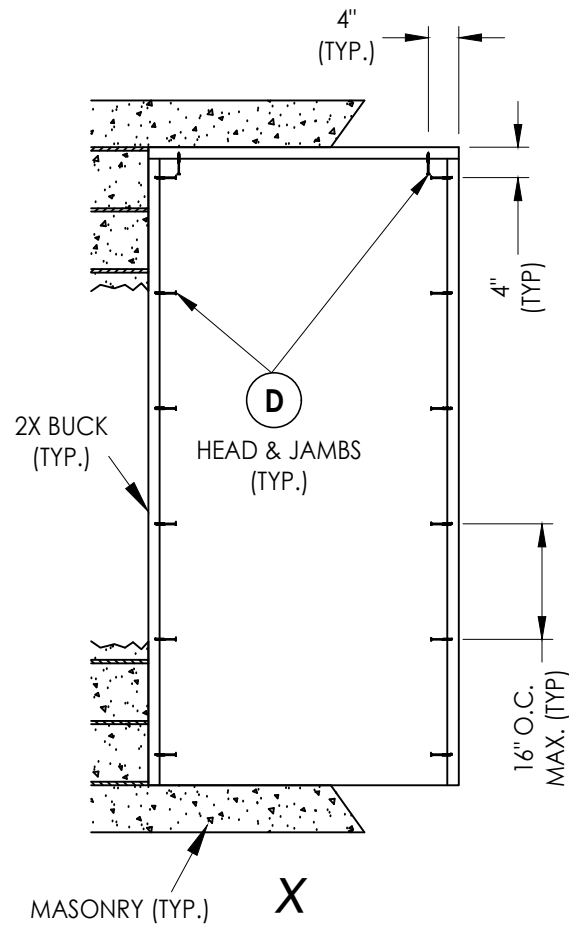
PRODUCT: DOORSCAPES  
 FIBERGLASS DOOR

PART OR ASSEMBLY:  
 HORIZONTAL & VERTICAL  
 CROSS SECTIONS (1X BUCK)

NO.	DATE	BY	REVISIONS

DATE: 2/22/24  
 SCALE: N.T.S.  
 DWG. BY: LFS  
 CHK. BY: RW  
 DRAWING NO.: FL-46553.1  
 SHEET 5 OF 9





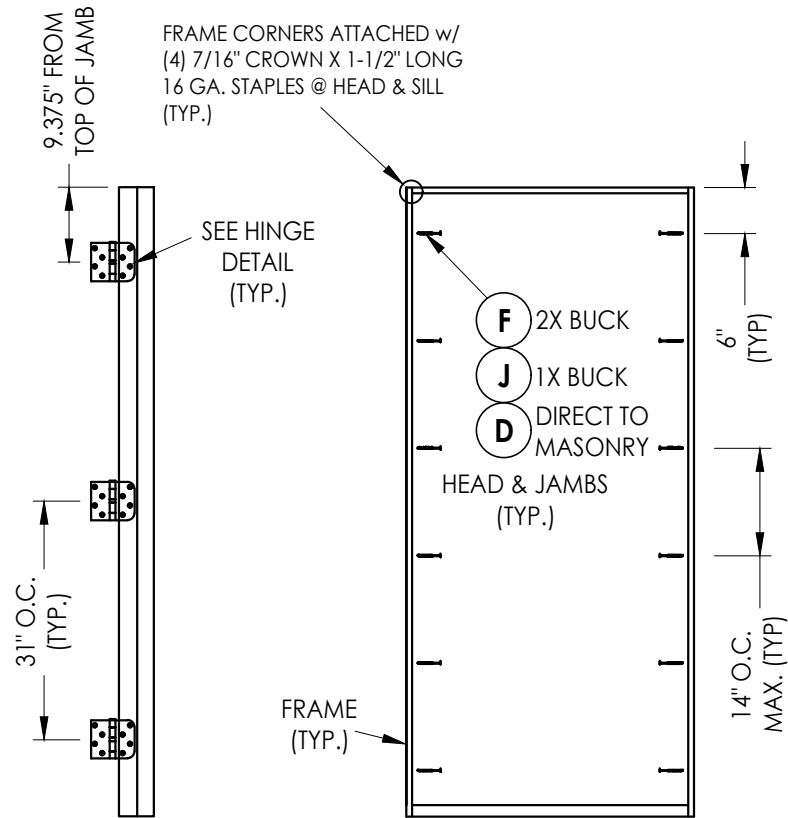
**2X BUCK ANCHORING**

DATE: 2/22/24  
 SCALE: N.T.S.  
 DWG. BY: LFS  
 CHK. BY: RW  
 DRAWING NO.:  
 FL-46553.1  
 SHEET 7 OF 9

NO.	DATE	BY	REVISIONS

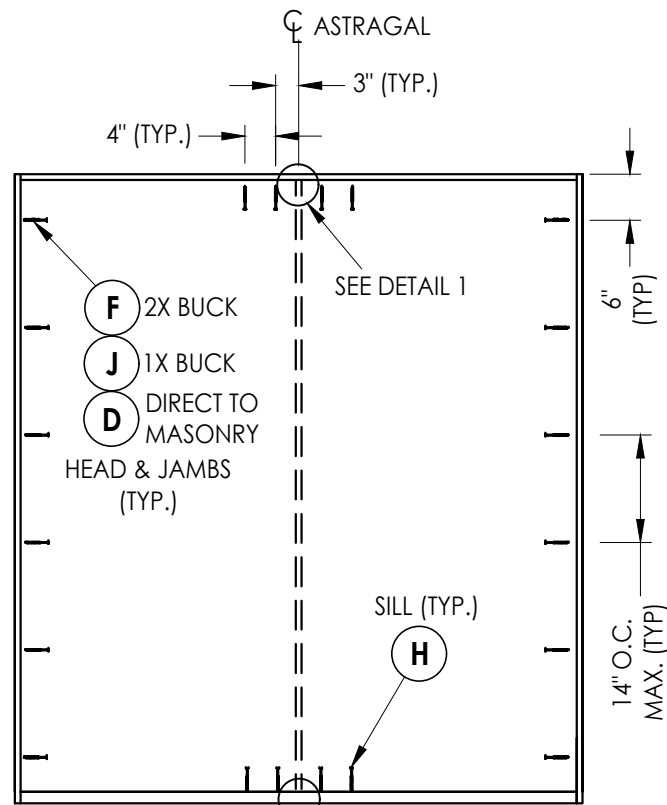
PRODUCT: DOORSCAPES  
 FIBERGLASS DOOR  
 PART OR ASSEMBLY:  
 BUCK ANCHORING

Documents Prepared By:  
 Lyndon F. Schmidt  
 P.E. No. 43409  
 RW BUILDING CONSULTANTS, INC.  
 P.O. Box 230, Vairico, FL 33595  
 Phone No.: 813.659.9197  
 FBPE Registry No. 9813



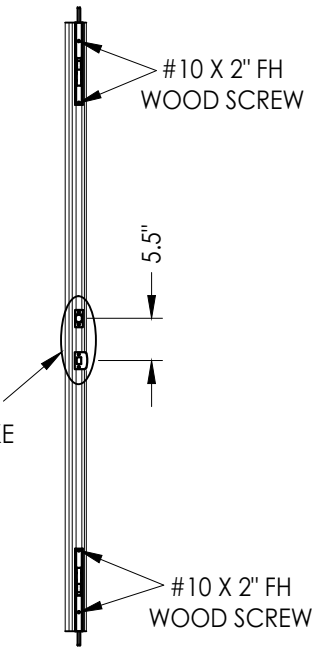
**HINGE JAMB**

**X**

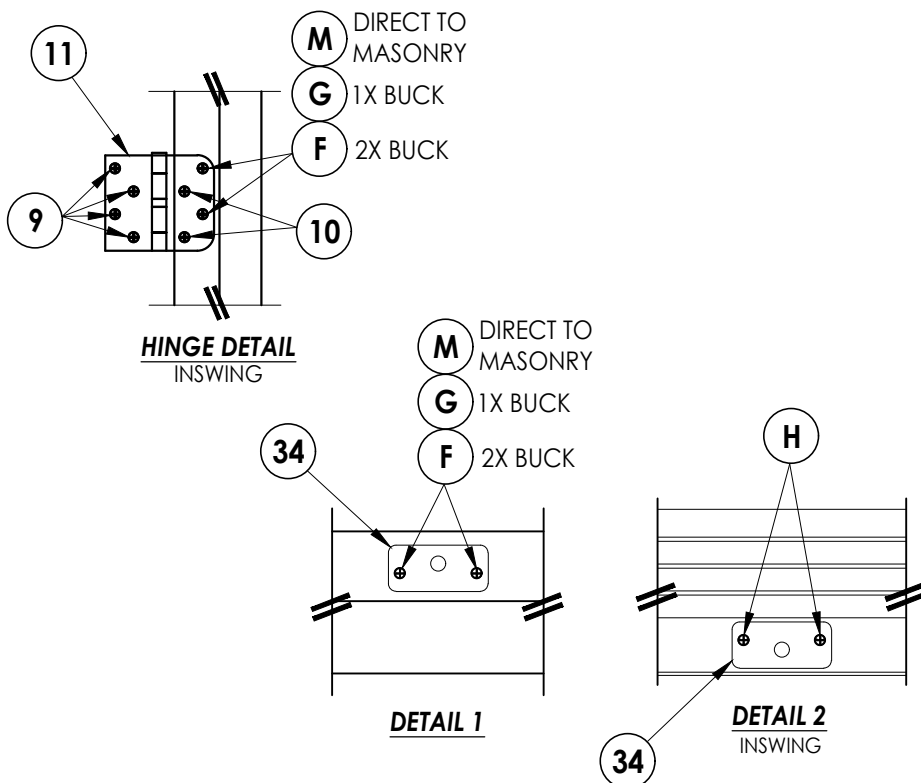


**XX**

**FRAME ANCHORING**

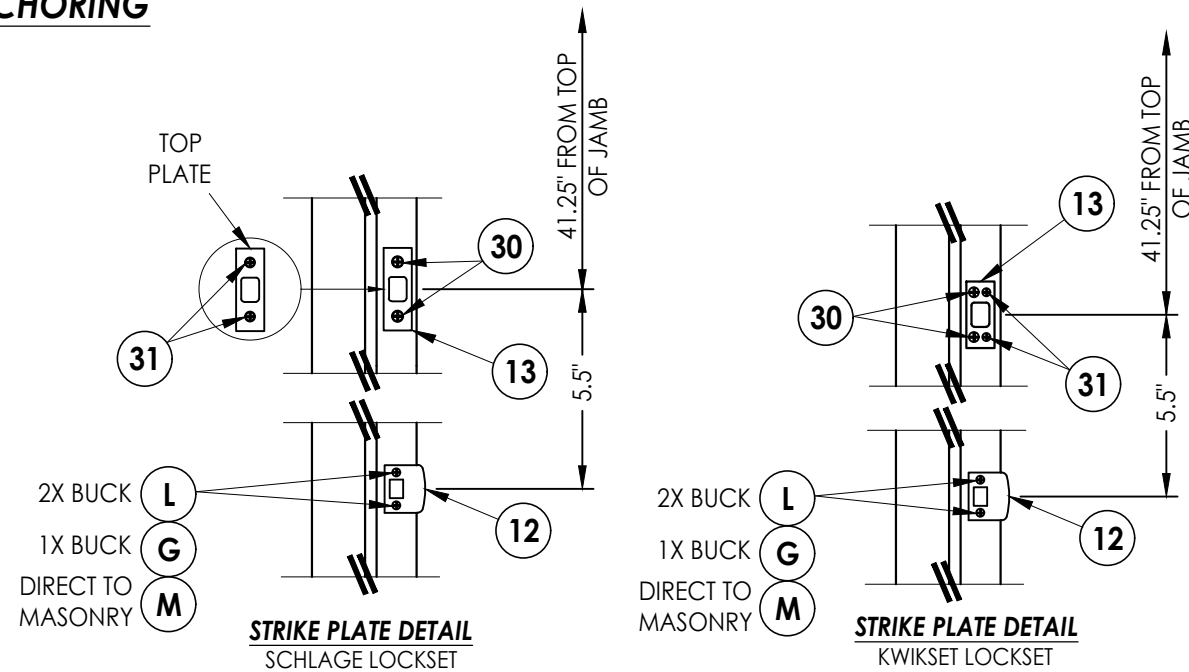


**ASTRAGAL**

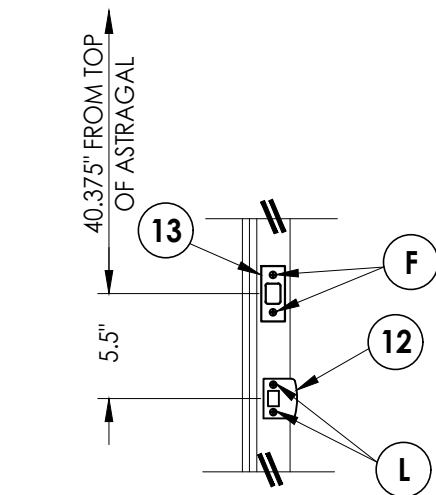
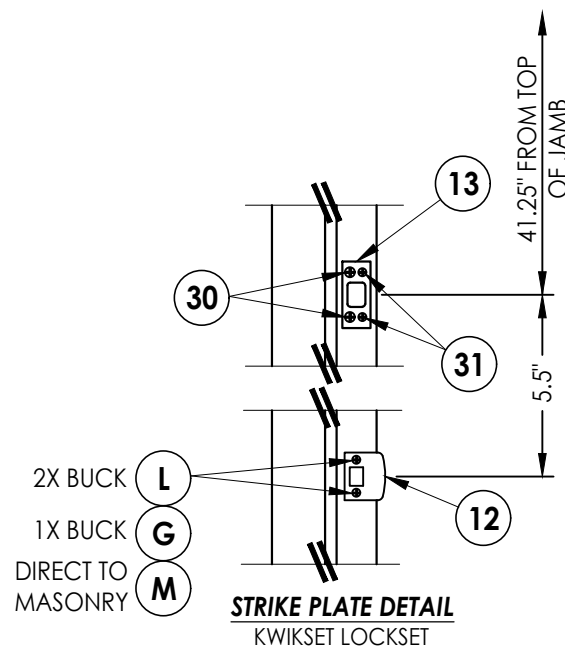


**DETAIL 1**

**DETAIL 2  
INSWING**



**LATCH & DEADBOLT STRIKE PLATE DETAILS  
SINGLE DOOR**



**LATCH & DEADBOLT STRIKE PLATE DETAILS  
DOUBLE DOOR**

**HARDWARE DETAILS**

Documents Prepared By:  
Lyndon F. Schmidt  
P.E. No. 43409

**RW** BUILDING CONSULTANTS, INC.  
P.O. Box 230, Valrico, FL 33595  
Phone No.: 813.659.9197  
FBPE Registry No. 9813

PRODUCT: DOORSCAPES  
FIBERGLASS DOOR

PART OR ASSEMBLY:  
BUCK ANCHORING

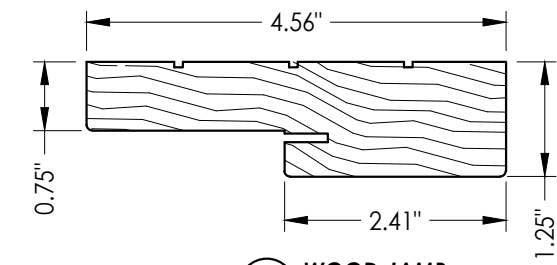
NO.	DATE	BY

DATE: 2/22/24  
SCALE: N.T.S.  
DWG. BY: LFS  
CHK. BY: RW  
DRAWING NO.: FL-46553.1  
SHEET 8 OF 9

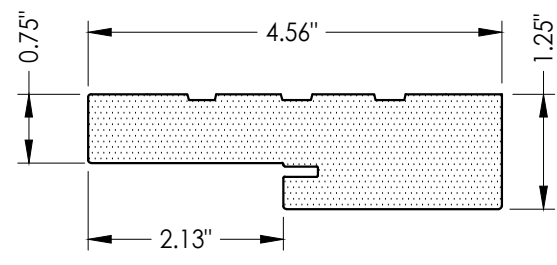


**BILL OF MATERIALS**

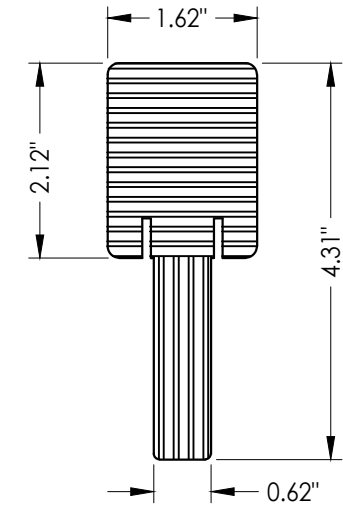
ITEM #	DESCRIPTION	MATERIAL
A	1X BUCK (G >= 0.42)	WOOD
B	2X BUCK (G >= 0.42)	WOOD
C	1/4" MAX. SHIM SPACE	-
D	1/4" X 2-3/4" PFH DeWALT OR ITW CONCRETE SCREW	STEEL
E	MASONRY - 3,000 PSI MIN. CONCRETE CONFORMING TO ACI 301 OR HOLLOW BLOCK CONFORMING TO ASTM C90	CONCRETE
F	#10 X 2-1/2" PFH WOOD SCREW (1.15" MIN. EMBEDMENT)	STEEL
G	3/16" X 3-1/4" PFH ITW CONCRETE SCREW	STEEL
H	1/4" X 2-1/4" PFH DeWALT OR ITW CONCRETE SCREW	STEEL
J	1/4" X 3-3/4" PFH DeWALT OR ITW CONCRETE SCREW	STEEL
L	#8 X 2-1/2" PFH WOOD SCREW	STEEL
M	3/16" X 2-1/4" PFH ITW CONCRETE SCREW	STEEL
1	FINGER JOINT PINE JAMB (G >= 0.42)	WOOD
2	COMPOSITE JAMB	COMP
7	WEATHERSTRIP	FOAM
8	DOOR BOTTOM SWEEP	VINYL
9	#9 X 1" PFH WOOD SCREW	STEEL
10	#10 X 3/4" PFH WOOD SCREW	STEEL
11	4" X 4" BUTT HINGE	STEEL
12	LATCH STRIKE PLATE	STEEL
13	DEADBOLT STRIKE PLATE	STEEL
23	INSWING THRESHOLD (AFCO A-280)	ALUM/WOOD
25	#10 X 1" PH SMS	STEEL
30	#12 X 2-1/2" PFH WOOD SCREW	STEEL
31	#8 X 1/2" PFH WOOD SCREW	STEEL
33	ALUMINUM ASTRAGAL (AFCO)	ALUM
34	ASTRAGAL STRIKE PLATE	STEEL
40	DOOR PANEL - SEE DOOR PANEL DETAIL SHEET FOR DETAILS	-



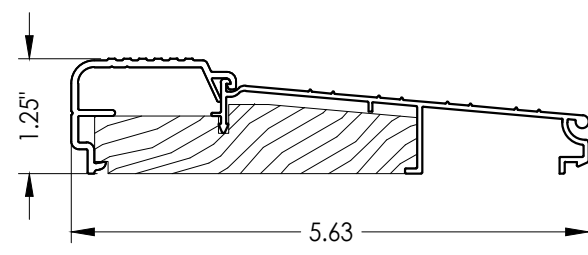
**1 WOOD JAMB**



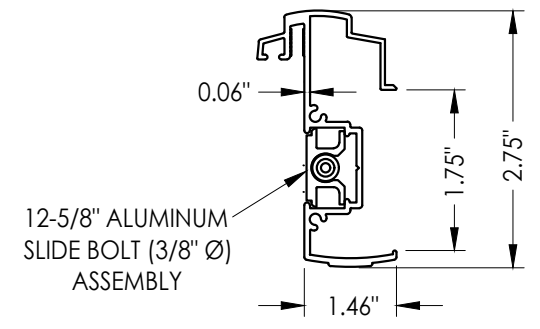
**2 COMPOSITE JAMB**



**3 INTEGRAL MULLION**



**23 INSWING FIXED THRESHOLD**



**33 ALUMINUM HURRICANE "T" ASTRAGAL AFCO**

**CONCRETE ANCHOR NOTES:**

- Concrete anchor locations at the corners may be adjusted to maintain the min. edge distance to mortar joints.
- Concrete anchor locations noted as "MAX. ON CENTER" must be adjusted to maintain the min. edge distance to mortar joints, additional concrete anchors may be required to ensure the "MAX. ON CENTER" dimension are not exceeded.
- Concrete anchor table:

ANCHOR TYPE	ANCHOR SIZE	MIN. EMBEDMENT	MIN. CLEARANCE TO MASONRY EDGE	MIN. CLEARANCE TO ADJACENT ANCHOR
ITW BUILDEX TAPCON®	3/16"	1-1/4"	3"	1-1/2"
	1/4"	1-1/4"	2"	4"
DeWALT ULTRACON®	1/4"	1-1/4"	1"	4"

**WOOD SCREW INSTALLATION NOTES:**

- Maintain a minimum 5/8" edge distance, 1" end distance, & 1" o.c. spacing of wood screws to prevent the splitting of wood.

Documents Prepared By:  
Lyndon F. Schmidt  
P.E. No. 43409

**RW**  
BUILDING CONSULTANTS, INC.  
P.O. Box 230, Vairico, FL 33595  
Phone No.: 813.659.9197  
FBPE Registry No. 9813

PRODUCT: DOORSCAPES  
FIBERGLASS DOOR

PART OR ASSEMBLY:  
BILL OF MATERIALS  
& COMPONENTS

NO.	DATE	BY	REVISIONS

DATE: 2/22/24  
SCALE: N.T.S.  
DWG. BY: LFS  
CHK. BY: RW  
DRAWING NO.: FL-46553.1  
SHEET 9 OF 9